

SHOX5

STANDARD OPTIONS

SEAT

- FIXED

MOUNTING

- BOX MOUNT

OPTIONS

- FORE/AFT ADJUSTMENT
- HEIGHT ADJUSTMENT
- FRONT GRAB HANDLE
- REAR GRAB HANDLE
- SHOXSPRO ADJUSTABLE SUSPENSION UPGRADE

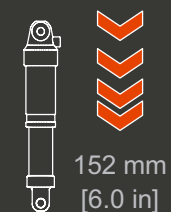
COLOR

- CLEAR ANODIZED METAL
- UPHOLSTERY: BLACK

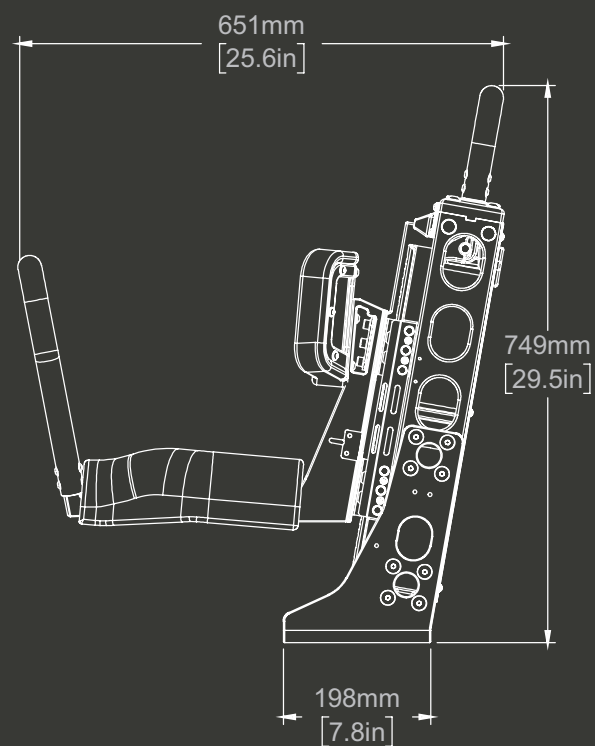
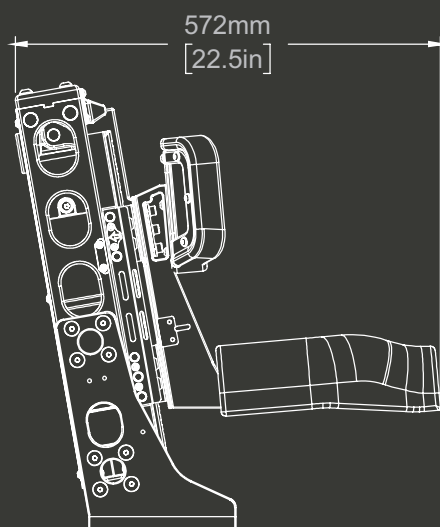
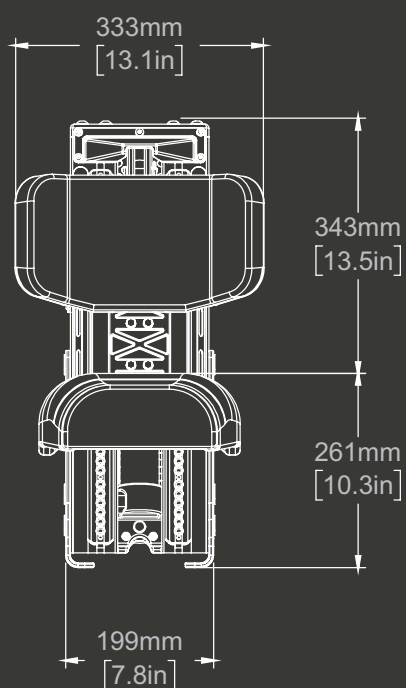
5900 SEAT OVERVIEW

A compact, box mounted jockey seat with 6 inches (152 mm) of suspension travel. Ideal for open boats where space and weight are limiting factors.





152 mm
[6.0 in]



SPECIFICATIONS: SHOXS 5900

SUSPENSION TRAVEL	152 mm / 6 in
BASE WEIGHT	14.6 kg / 32 lb
MATERIAL	CNC Aluminum, 316 SS, Titanium
FINISH	Hard Anodized: Aluminum
UPHOLSTERY	Waterproof Marine Vinyl, UV Stable and Mold Resistant, Black